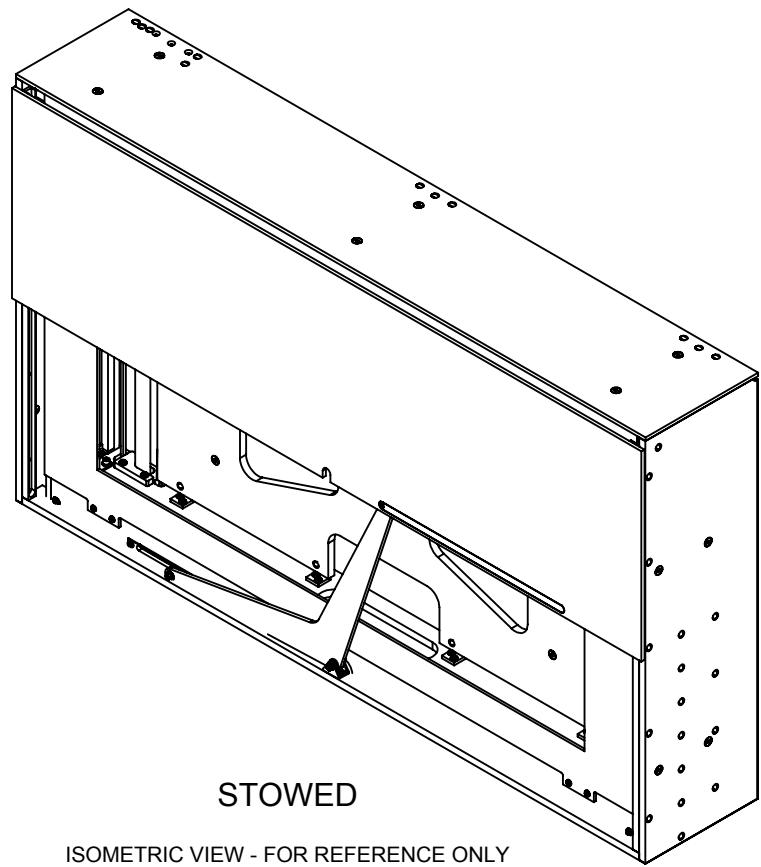


8 7 6 5 4 3 2 1

REV.	DATE	DESCRIPTION
IR	10/13/08	INITIAL RELEASE

1	11	3528544-1	LIMIT SWITCH ASSEMBLY	
1	10	3528543-1	LID ASSEMBLY	
1	9	3528542-1	MOTOR ASSEMBLY	
1	8	3528541-1	GEAR ROD ASSEMBLY	
2	7	3528540-1	GAS SPRING ASSEMBLY	
1	6	3528514-1	MONITOR LIFT HOUSING ASM	
1	5	3528484-1	MONITOR BASE ASM	
1	4	3528478-1	SLIDE PANEL ASM	
1	3	3528474-1	MONITOR SHROUD ASM	
1	2	3528473-1	MONITOR MOUNT ASM - 46 IN	
1	1	3513045	WIRE HARNESS	
-1	ITEM	PART NUMBER	Description	SPEC




STOWED

ISOMETRIC VIEW - FOR REFERENCE ONLY

D
C
B
A

D
C
B
REV IR
FILE:3529-012 SPLIT LIFT ASM

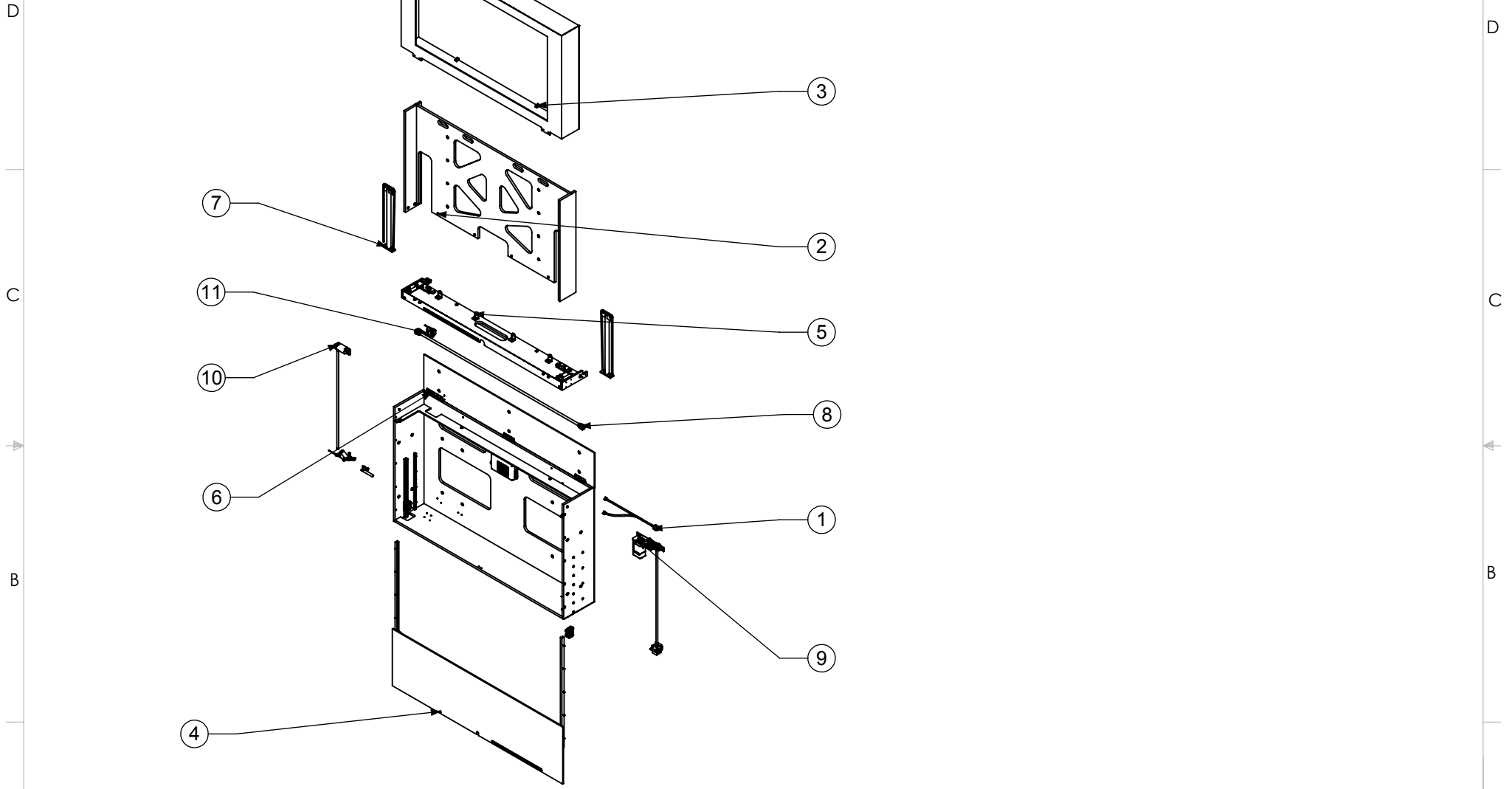
STEECON CORPORATION PROPRIETARY RIGHTS ARE INCLUDED IN THE INFORMATION DISCLOSED HEREIN. RECIPIENT BY ACCEPTING THIS DOCUMENT AGREES THAT NEITHER THIS DOCUMENT NOR THE INFORMATION DISCLOSED HEREIN NOR ANY PART THEREOF SHALL BE REPRODUCED OR TRANSFERRED TO OTHER DOCUMENTS OR USED OR DISCLOSED TO OTHERS FOR MANUFACTURING OR FOR ANY OTHER PURPOSE EXCEPT AS SPECIFICALLY AUTHORIZED IN WRITING BY STEECON CORPORATION.

UNLESS OTHERWISE SPECIFIED DIMENSIONS ARE IN INCHES			DRAWN BY J CILEO		DATE 10/13/08		 5362 INDUSTRIAL DRIVE HUNTINGTON BEACH, CA 92649
TOLERANCES ON DECIMALS			CHECKED BY M HANSON		DATE 10/13/08		
MACH. FORMED			APPROVED M HANSON		DATE 10/13/08		
.0 ± .1							
.00 ± .01							TITLE
.000 ± .005	±0°30'	±2°					SPLIT LIFT ASSY
DO NOT SCALE PRINT BREAK ALL SHARP EDGES							DRAWING NUMBER
ODD DASH NO'S SHOWN NEXT HIGHER CONSECUTIVE EVEN DASH NUMBER OPPOSITE					SIZE A SCALE 1:11		3529-012
							SHEET NO. 1 OF 4


8 7 6 5 4 3 2 1

8 7 6 5 4 3 2 1

REV.	DATE	DESCRIPTION
IR	10/13/08	INITIAL RELEASE



A

UNLESS OTHERWISE SPECIFIED DIMENSIONS ARE IN INCHES			DRAWN BY J CILEO		DATE 10/13/08		 STEECON ENTERPRISES 5362 INDUSTRIAL DRIVE HUNTINGTON BEACH, CA 92649
TOLERANCES ON DECIMALS ANGLES			CHECKED BY M HANSON		DATE 10/13/08		
.0 ± .1	MACH.	FORMED	APPROVED M HANSON		DATE 10/13/08		
.00 ± .01	±0°30'	±2°	Q.C.		DATE		
.000 ± .005			CUSTOMER		DATE		TITLE
DO NOT SCALE PRINT BREAK ALL SHARP EDGES							SPLIT LIFT ASM
ODD DASH NO'S SHOWN NEXT HIGHER CONSECUTIVE EVEN DASH NUMBER OPPOSITE					SIZE	SCALE	DRAWING NUMBER
					A	1:30	3529-012
							SHEET NO.
							2 OF 4

STEECON CORPORATION PROPRIETARY RIGHTS ARE INCLUDED IN THE INFORMATION DISCLOSED HEREIN. RECIPIENT BY ACCEPTING THIS DOCUMENT AGREES THAT NEITHER THIS DOCUMENT NOR THE INFORMATION DISCLOSED HEREIN NOR ANY PART THEREOF SHALL BE REPRODUCED OR TRANSFERRED TO OTHER DOCUMENTS OR USED OR DISCLOSED TO OTHERS FOR MANUFACTURING OR FOR ANY OTHER PURPOSE EXCEPT AS SPECIFICALLY AUTHORIZED IN WRITING BY STEECON CORPORATION.

8 7 6 5 4 3 2 1

8 7 6 5 4 3 2 1

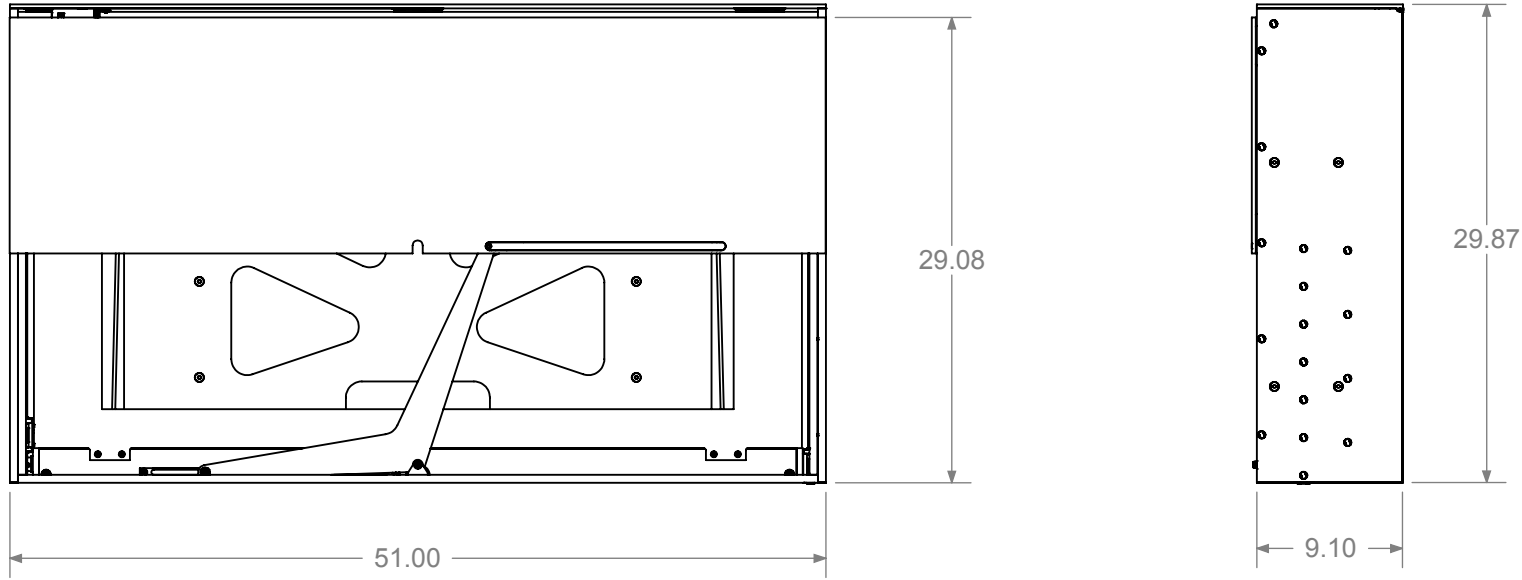
REV.	DATE	DESCRIPTION
IR	10/13/08	INITIAL RELEASE

D D


C C

B B

A A



STOWED

UNLESS OTHERWISE SPECIFIED DIMENSIONS ARE IN INCHES			DRAWN BY J CILEO		DATE 10/13/08		 STEECON ENTERPRISES 5362 INDUSTRIAL DRIVE HUNTINGTON BEACH, CA 92649	
TOLERANCES ON DECIMALS			CHECKED BY M HANSON		DATE 10/13/08			
ANGLES			APPROVED M HANSON		DATE 10/13/08			
.0 ± .1 .00 ± .01 .000 ± .005			Q.C.		DATE			
MACH. FORMED			CUSTOMER		DATE		TITLE SPLIT LIFT ASSY	
±0°30' ±2°			DO NOT SCALE PRINT BREAK ALL SHARP EDGES		DATE		DRAWING NUMBER 3529-012	
ODD DASH NO'S SHOWN NEXT HIGHER CONSECUTIVE EVEN DASH NUMBER OPPOSITE			SIZE A		SCALE 1:12		SHEET NO. 3 OF 4	

STEECON CORPORATION PROPRIETARY RIGHTS ARE INCLUDED IN THE INFORMATION DISCLOSED HEREIN. RECIPIENT BY ACCEPTING THIS DOCUMENT AGREES THAT NEITHER THIS DOCUMENT NOR THE INFORMATION DISCLOSED HEREIN NOR ANY PART THEREOF SHALL BE REPRODUCED OR TRANSFERRED TO OTHER DOCUMENTS OR USED OR DISCLOSED TO OTHERS FOR MANUFACTURING OR FOR ANY OTHER PURPOSE EXCEPT AS SPECIFICALLY AUTHORIZED IN WRITING BY STEECON CORPORATION.

8 7 6 5 4 3 2 1

8 7 6 5 4 3 2 1

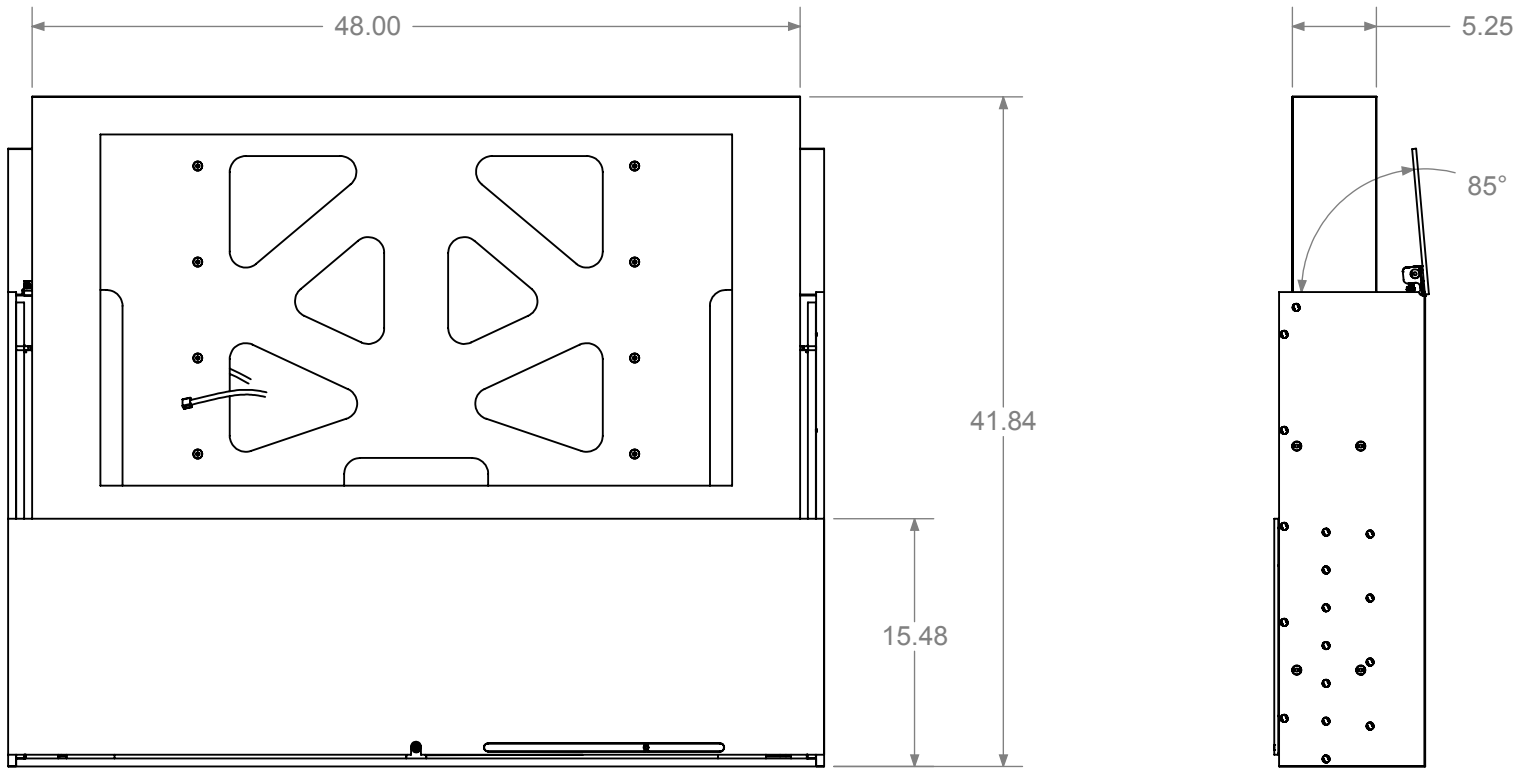
REV.	DATE	DESCRIPTION
IR	10/13/08	INITIAL RELEASE

D D

C C


B B

A A



DEPLOYED

STEECON CORPORATION PROPRIETARY RIGHTS ARE INCLUDED IN THE INFORMATION DISCLOSED HEREIN. RECIPIENT BY ACCEPTING THIS DOCUMENT AGREES THAT NEITHER THIS DOCUMENT NOR THE INFORMATION DISCLOSED HEREIN NOR ANY PART THEREOF SHALL BE REPRODUCED OR TRANSFERRED TO OTHER DOCUMENTS OR USED OR DISCLOSED TO OTHERS FOR MANUFACTURING OR FOR ANY OTHER PURPOSE EXCEPT AS SPECIFICALLY AUTHORIZED IN WRITING BY STEECON CORPORATION.

UNLESS OTHERWISE SPECIFIED DIMENSIONS ARE IN INCHES			DRAWN BY J CILEO		DATE 10/13/08		 5362 INDUSTRIAL DRIVE HUNTINGTON BEACH, CA 92649	
TOLERANCES ON DECIMALS			CHECKED BY M HANSON		DATE 10/13/08			
MACH. FORMED			APPROVED M HANSON		DATE 10/13/08			
.0 ± .1 .00 ± .01 .000 ± .005			Q.C.		DATE			
DO NOT SCALE PRINT BREAK ALL SHARP EDGES			CUSTOMER		DATE		TITLE SPLIT LIFT ASSY	
ODD DASH NO'S SHOWN NEXT HIGHER CONSECUTIVE EVEN DASH NUMBER OPPOSITE					SIZE A		SCALE 1:12	
					DRAWING NUMBER		SHEET NO.	
					3529-012		4 OF 4	

8 7 6 5 4 3 2 1